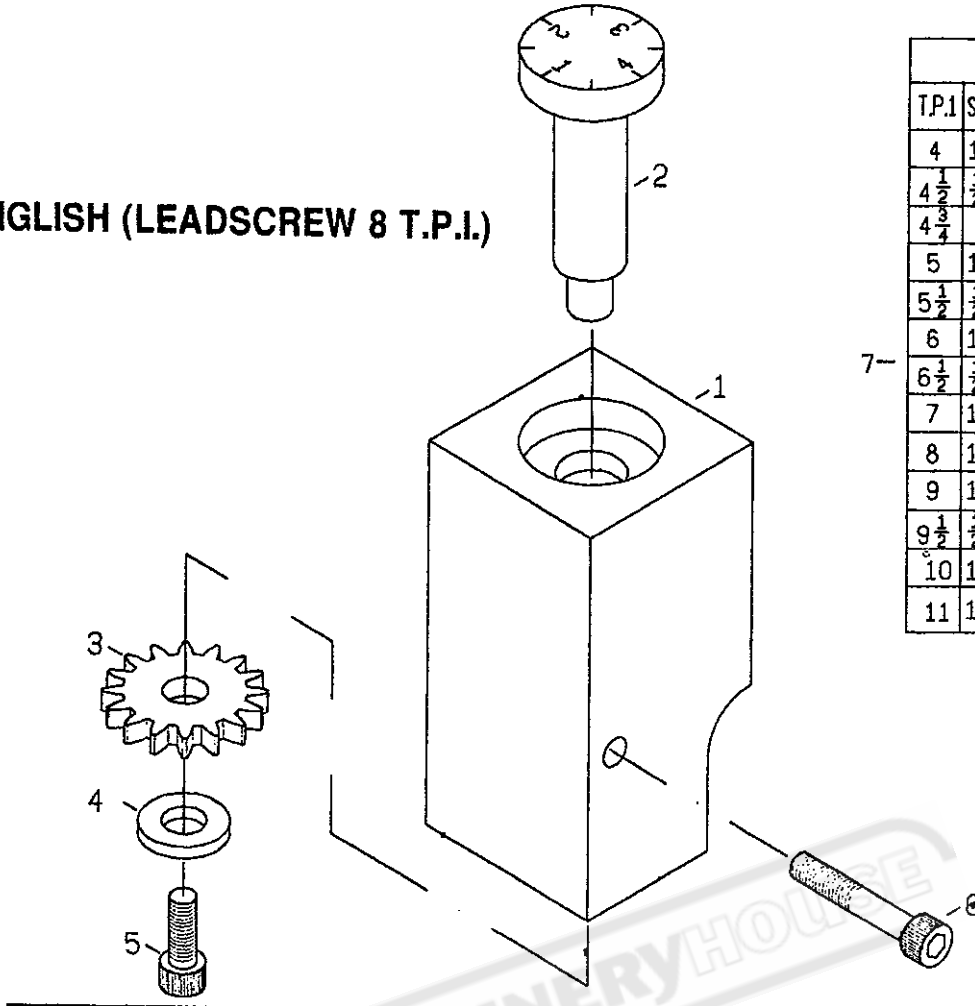
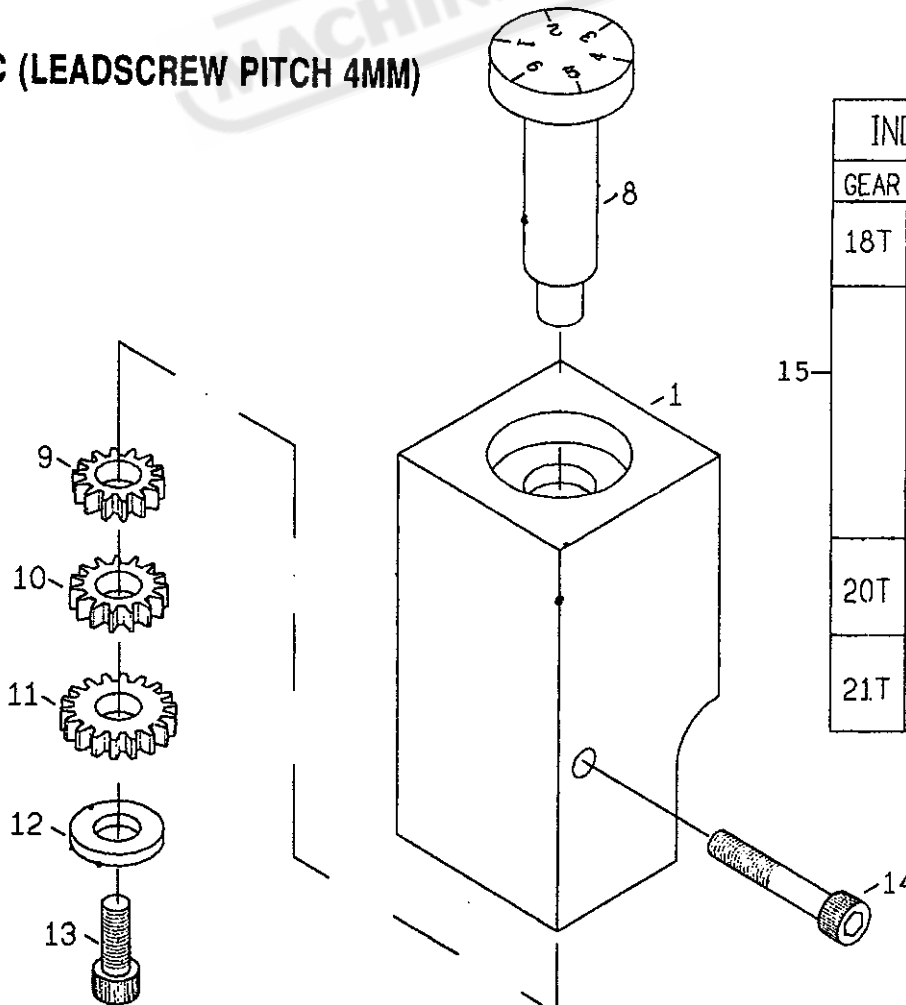


ENGLISH (LEADSCREW 8 T.P.I.)



INDICATOR TABLE					
T.P.1	SCALE	T.P.1	SCALE	T.P.1	SCALE
4	1-8	12	1-8	38	
4 $\frac{1}{2}$	$\frac{1}{2}, \frac{3}{4}$	13	1-4	40	
4 $\frac{3}{4}$	1	14		44	
5	1-4	16	1-8	48	
5 $\frac{1}{2}$	$\frac{1}{2}, \frac{3}{4}$	18		52	
6	1-8	19	1-4	56	1-8
6 $\frac{1}{2}$	$\frac{1}{2}, \frac{3}{4}$	20		64	
7	1-4	22		72	
8	1-8	24		76	
9	1-4	26	1-8	80	
9 $\frac{1}{2}$	$\frac{1}{2}, \frac{3}{4}$	28		96	
10	1-8	32		104	
11	1-4	36		112	

METRIC (LEADSCREW PITCH 4MM)

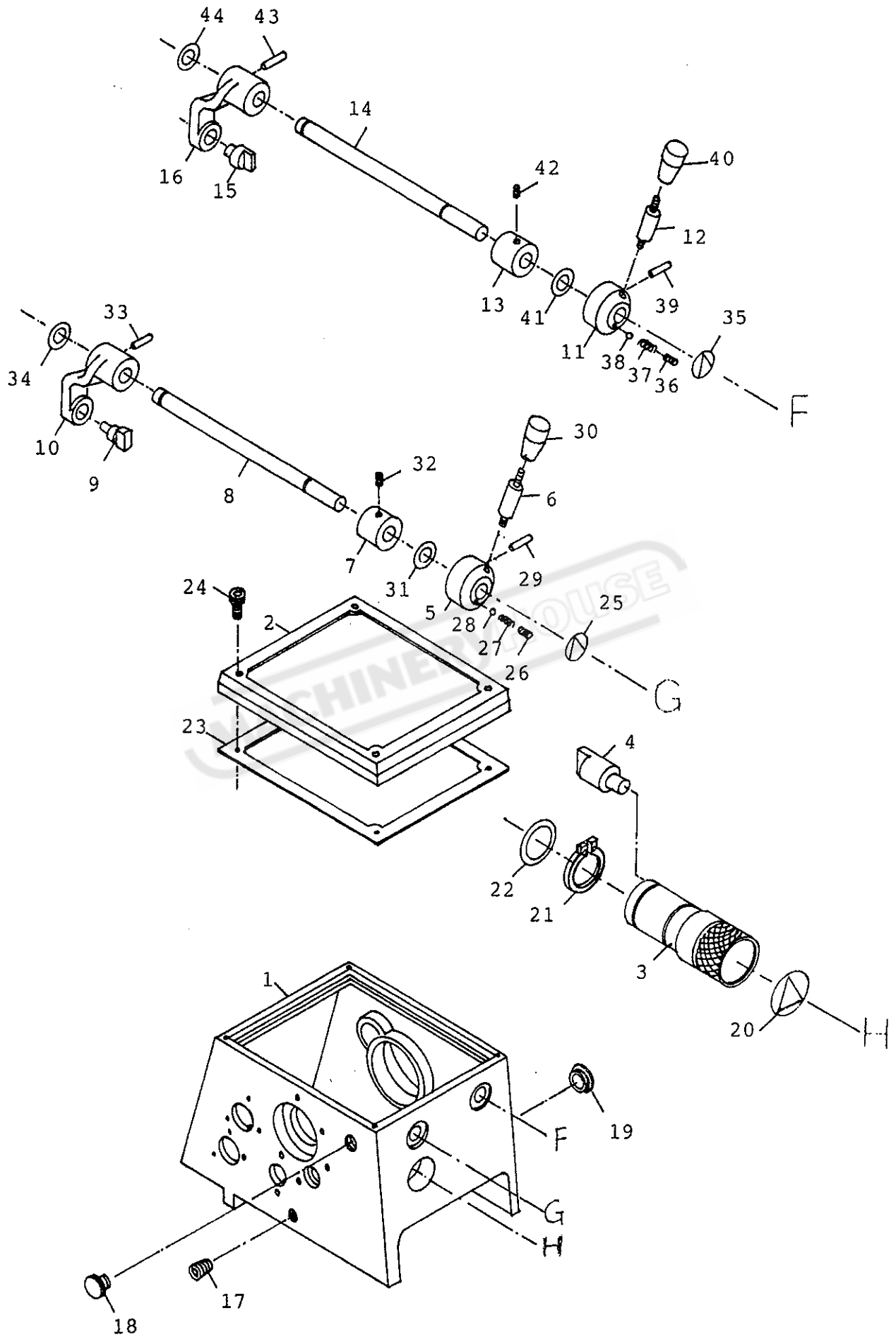


INDICATOR TABLE			
GEAR	PITCH		SCALE
18T	0.45	0.9	1, 4
	0.3	0.6	13, 4
15-	0.25	0.75	
	0.5	1.5	
	1	3	1-6
	2	6	
20T	1.25	50	1, 4
	2.5		
21T	1.75	70	1, 3, 5
	3.5		

THREADING DIAL

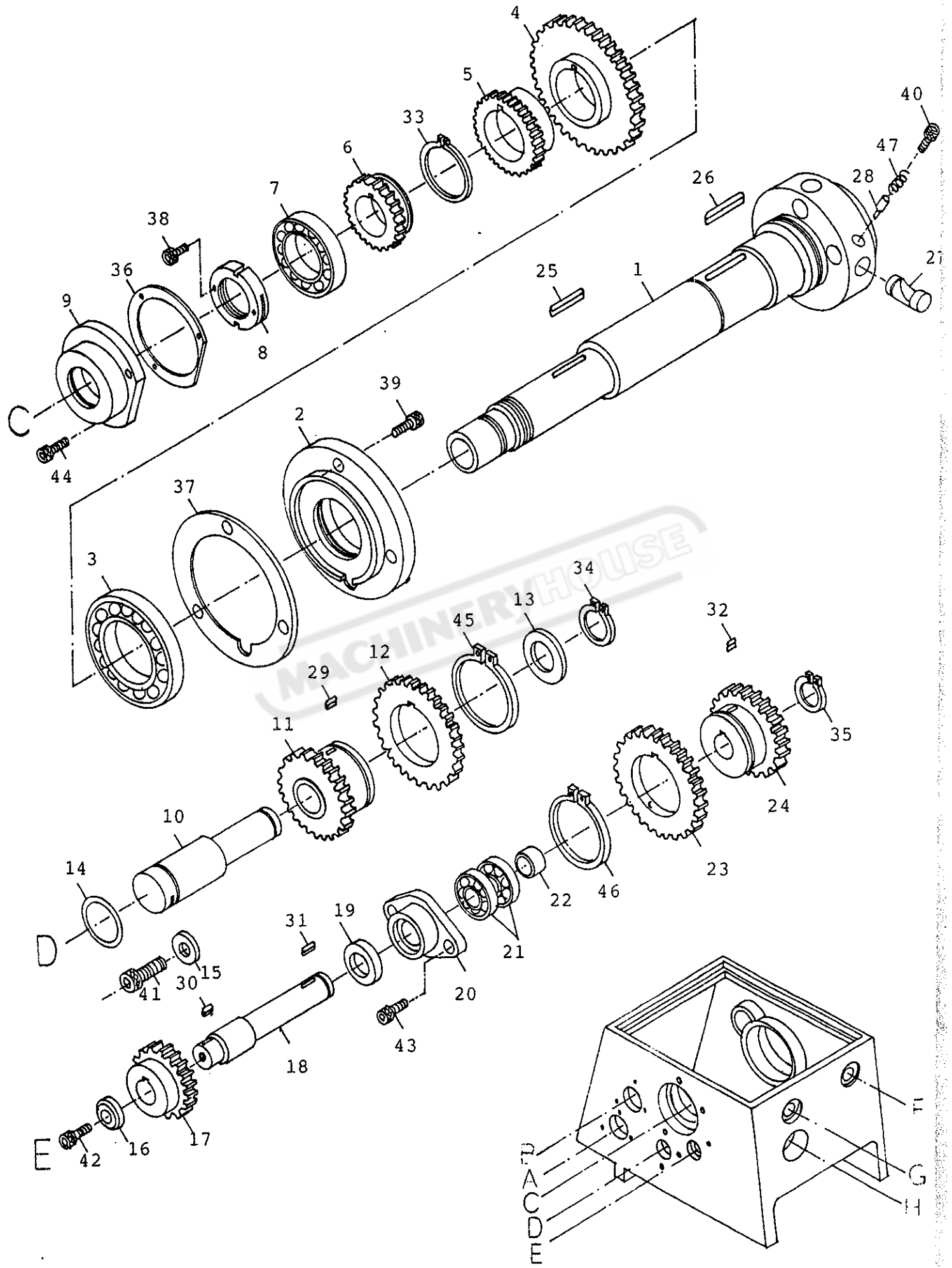
REF.NO.	PART NO.	DESCRIPTION	Q'TY	REMARKS
1	3334	GUARD	1	
2	3335	THREAD DIAL BODY	1	
3	3336	GEAR	1	
4	3375	WASHER	1	
5	3376	SCREW	1	
6	3377	SCREW	1	
7	3378	PLATE	1	
8	3326	THREAD DIAL, BODY	1	
9	3379	GEAR	1	
10	3380	GEAR	1	
11	3381	GEAR	1	
12	3382	WASHER	1	
13	3383	SCREW	1	
14	3384	SCREW	1	
15	3385	PLATE	1	

MACHINERYHOUSE



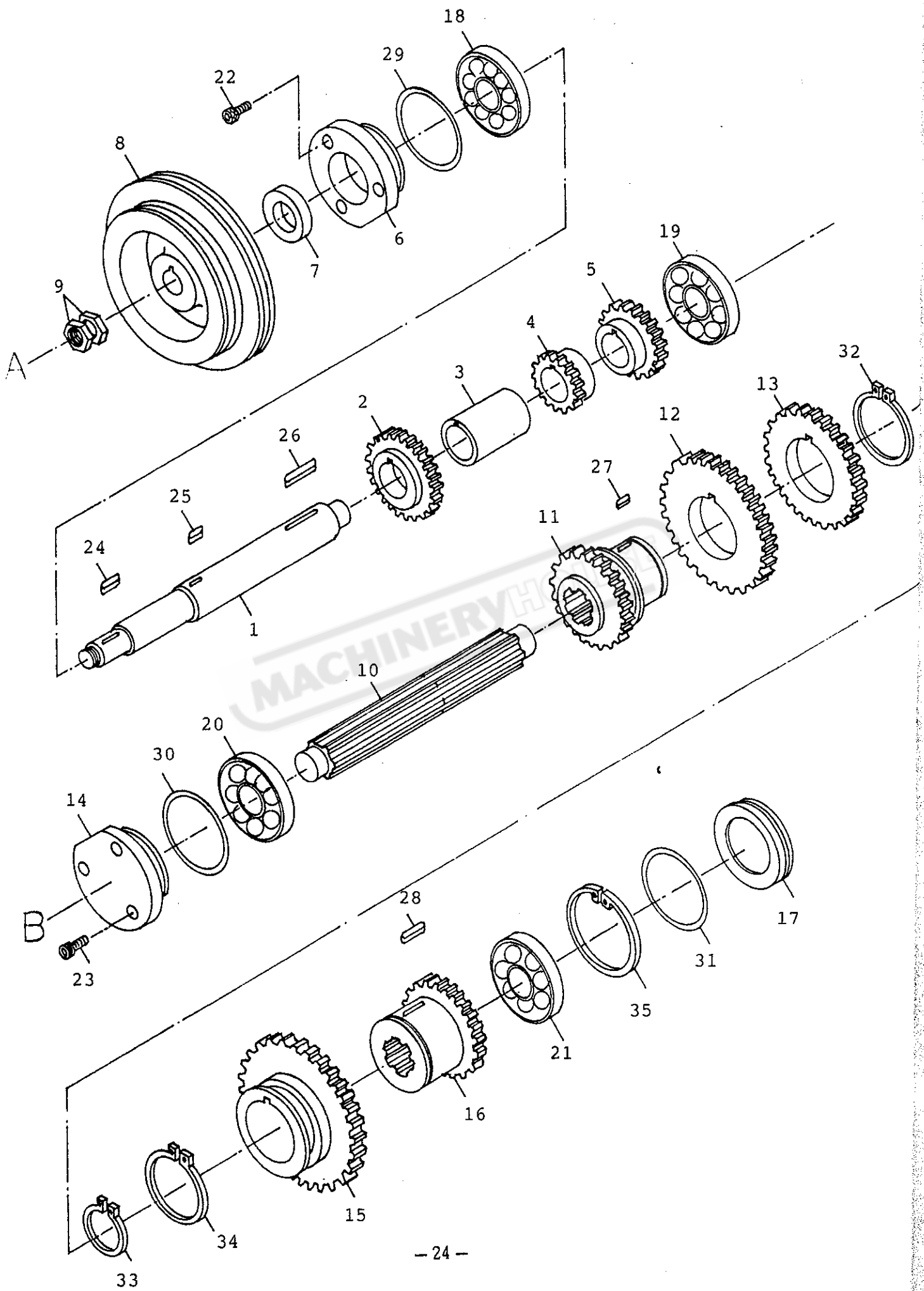
HEADSTOCK CASTING AND CONTROLS (GH TYPE)

REF.NO.	PART NO.	DESCRIPTION	Q'TY	REMARKS
1	A-3101	HEADSTOCK	1	
2	A-3154	COVER	1	
3	A-3156	HANDLE	1	
4	A-3131	SHIFT FORK	1	
5	A-3132	HANDLE	1	
6	A-3133	LEVER	1	
7	A-3137	COLLAR	1	
8	A-3135	SHAFT	1	
9	A-3138	SHIFT FORK	1	
10	A-3136	FORK ARMS	1	
11	A-3132	HANDLE	1	
12	A-3133	LEVER	1	
13	A-3137	COLLAR	1	
14	A-3135	SHAFT	1	
15	A-3138	SHIFR FORK	1	
16	A-3136	FORK ARMS	1	
17	A-3146	SCREW	1	
18	A-3146	SCREW	1	
19	A-3147	OIL SIGHT	1	
20	A-3148	INDEXING PLATE	1	
21	A-3149	CIRCLIP	1	
22	A-3150	OIL RING	1	
23	A-3151	GASKET	1	
24	A-3152	SCREW	4	
25	A-3153	INDEXING PLATE	1	
26	A-3155	SCREW	1	
27	A-3157	SPRING	1	
28	A-3158	STEEL BALL	1	
29	A-3159	SPRING PIN	1	
30	A-3134	PVC KNOB	1	
31	A-3160	OIL RING	1	
32	A-3161	SCREW	1	
33	A-3162	SPRING PIN	1	
34	A-3163	OIL RING	1	
35	A-3164	INDEX PLATE	1	
36	A-3165	SCREW	1	
37	A-3166	SPRING	1	
38	A-3167	STEEL BALL	1	
39	A-3168	SPRING PIN	1	
40	A-3134	PVC KNOB	1	
41	A-3169	OIL RING	1	
42	A-3170	SCREW	1	
43	A-3171	SPRING PIN	1	
44	A-3172	OIL RING	1	



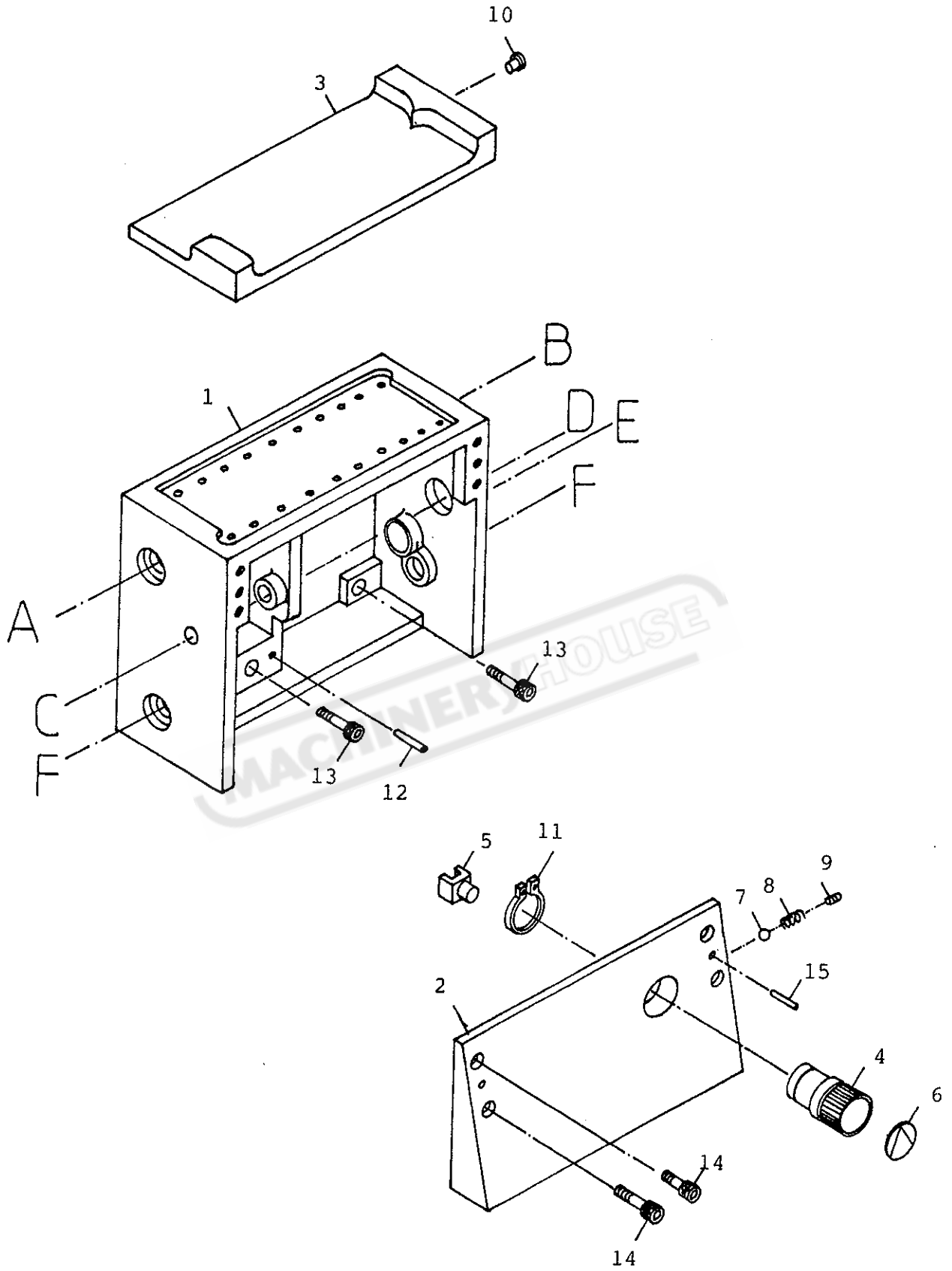
HEADSTOCK SPINDLE AND GEARS (GH TYPE)

REF.NO.	PART NO.	DESCRIPTION	Q'TY	REMARKS
1	A-3101	MAIN SPINDLE	1	
2	A-3103	BEARING CAP	1	
3	A-3173	BEARING	1	
4	A-3104	GEAR	1	
5	A-3105	GEAR	1	
6	A-3106	GEAR	1	
7	A-3174	BEARING	1	
8	A-3107	NUT	1	
9	A-3108	BEARING CAP	1	
10	A-3112	SHAFT	1	
11	A-3113	GEAR	1	
12	A-3110-1	GEAR	1	
13	A-3114	WASHER	1	
14	A-3115	WASHER	1	
15	A-3175	WASHER	1	
16	A-3140	WASHER	1	
17	A-3119	GEAR	1	
18	A-3109	SHAFT	1	
19	A-3176	OIL SEAL	1	
20	A-3111	BEARING CAP	1	
21	A-3177	BEARING	2	
22	A-3141	WASHER	1	
23	A-3110-1	GEAR	1	
24	A-3110	GEAR	1	
25	A-3178	KEY	1	
26	A-3179	KEY	1	
27	A-3180	CAMLOCK	3	
28	A-3181	CAMLOCK STUD	3	
29	A-3182	KEY	1	
30	A-3183	KEY	1	
31	A-3184	KEY	1	
32	A-3185	KEY	1	
33	A-3186	CIRCLIPT	1	
34	A-3187	CIRCLIPT	1	
35	A-3188	CIRCLIPT	1	
36	A-3189	GASKET	1	
37	A-3190	GASKET	1	
38	A-3191	SCREW	2	
39	A-3192	SCREW	3	
40	A-3193	SCREW	3	
41	A-3194	SCREW	1	
42	A-3195	SCREW	1	
43	A-3196	SCREW	2	
44	A-3197	SCREW	3	
45	A-3198	CIRCLIPT	1	
46	A-3199	CIRCLIPR	1	
47	A-3200	SPRING	3	



HEADSTOCK GEARS (GH TYPE)

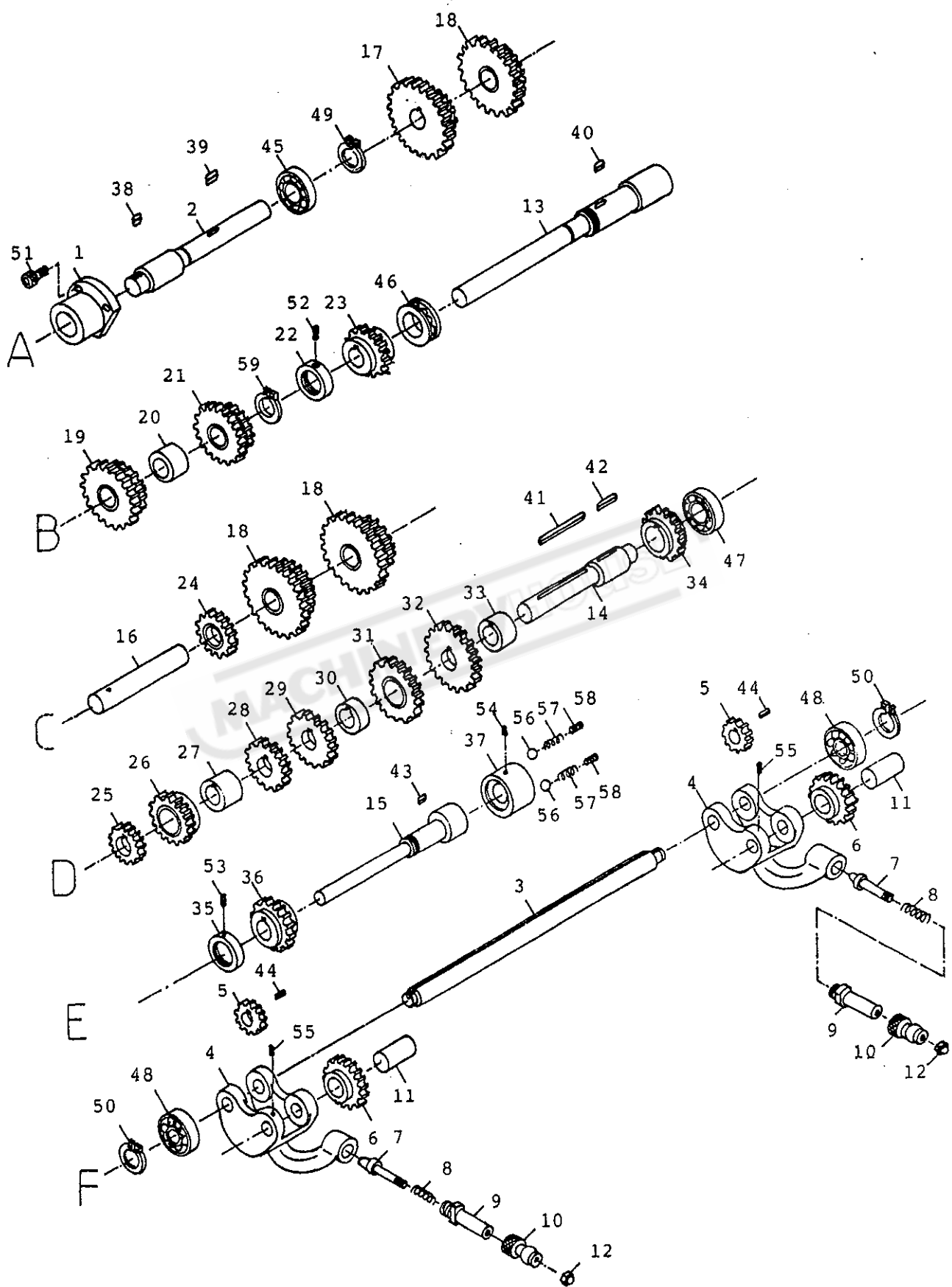
REF.NO.	PART NO.	DESCRIPTION	Q'TY	REMARKS
1	A-3116	SHAFT	1	
2	A-3117	GEAR	1	
3	A-3118	GEAR BUSHING	1	
4	A-3119	GEAR	1	
5	A-3120	GEAR	1	
6	A-3125	BEARING CAP	1	
7	A-3201	FOL SEAL	1	
8	A-3127	V-BELT PULLY	1	
9	A-3128	NUT	2	
10	A-3122	SHAFT	1	
11	A-3124	GEAR	1	
12	A-3124-1	GEAR	1	
13	A-3124-2	GEAR	1	
14	A-3121	BEARING CAP	1	
15	A-3123-1	GEAR	1	
16	A-3123	GEAR	1	
17	A-3126	BEARING CAP	1	
18	A-3202	BEARING	1	
19	A-3203	BEARING	1	
20	A-3204	BEARING	1	
21	A-3205	BEARING	1	
22	A-3206	SCREW	3	
23	A-3207	SCREW	3	
24	A-3208	KEY	1	
25	A-3209	KEY	1	
26	A-3210	KEY	1	
27	A-3211	KEY	1	
28	A-3212	KEY	1	
29	A-3213	OIL RING	1	
30	A-3214	OIL RING	1	
31	A-3215	OIL RING	1	
32	A-3216	CIRCLIPT	1	
33	A-3217	CIRCLIPT	1	
34	A-3218	CIRCLIPT	1	
35	A-3219	CIRCLIPT	1	



METRIC GEAR BOX

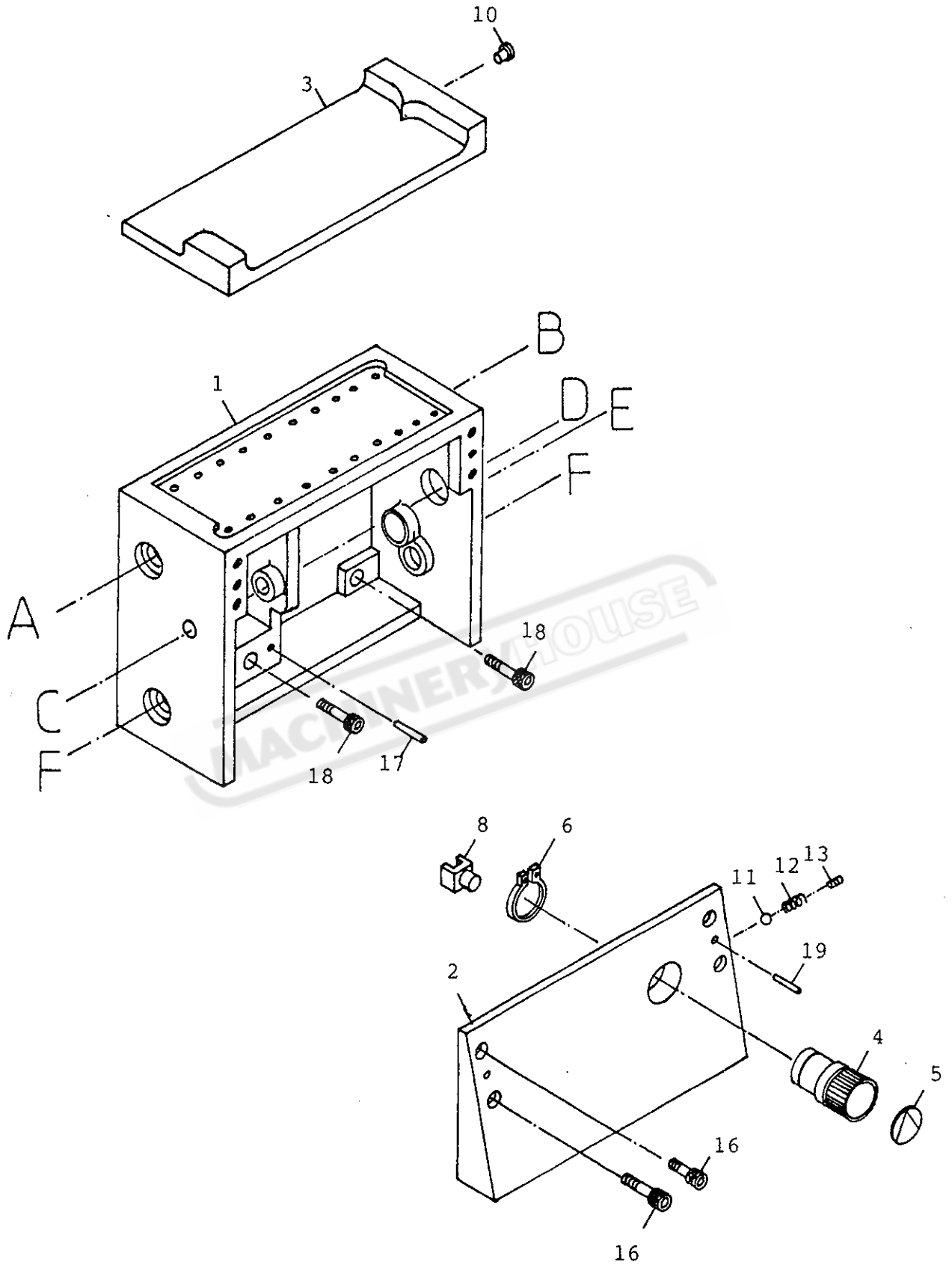
REF.NO.	PART NO.	DESCRIPTION	Q'TY	REMARKS
1	3201-1	GEAR BOX	1	
2	3202-1	FRONT COVER	1	
3	3613	COVER	1	
4	3250	HANDLE	1	
5	3251	SHIFT FORK	1	
6	3264	INDEXING PLATE	1	
7	3255	STEEL BALL	1	
8	3256	SPRING	1	
9	3257	SCREW	1	
10	3254	OIL INLET	1	
11	3265	CIRCLIP	1	
12	3261	SPRING PIN	1	
13	3262	SCREW	2	
14	3260	SCREW	4	
15	3263	SPRING PIN	1	

MACHINERYHOUSE



METRIC GEAR BOX

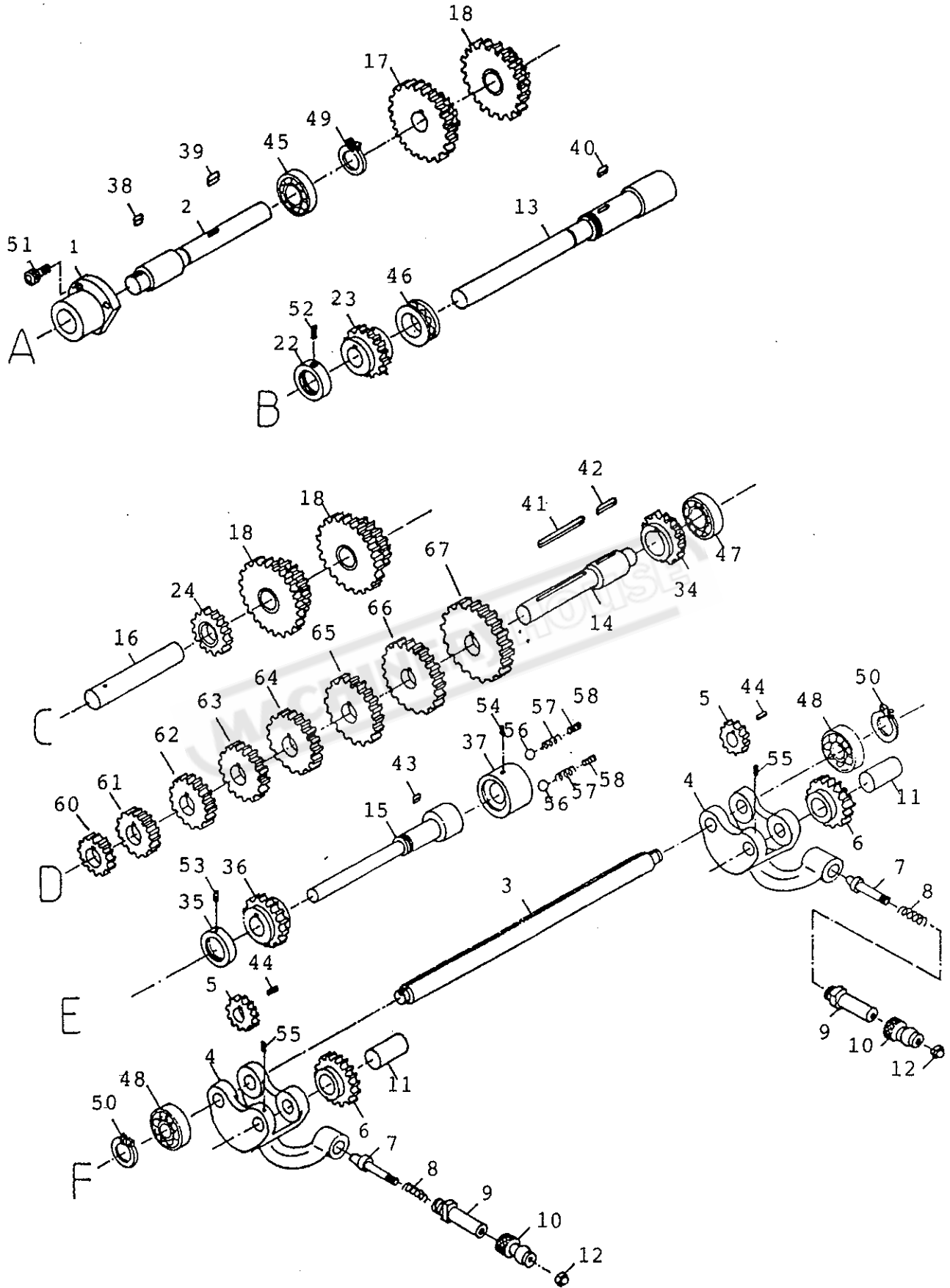
REF.NO.	PART NO.	DESCRIPTION	Q'TY	REMARKS
1	3203	COVER	1	
2	3204	SHAFT	1	
3	3222	SHAFT	1	
4	3223	SHIFT FRAME	2	
5	3224	GEAR	2	
6	3226	GEAR	2	
7	3232	PLUNGER	2	
8	3266	SPRING	2	
9	3233	BUSH	2	
10	3234	KNOB	2	
11	3225	SHAFT	2	
12	3267	NUT	2	
13	3207	SHAFT	1	
14	3209	SHAFT	1	
15	3220	SHAFT	1	
16	3253	SHAFT	1	
17	3205	GEAR	1	
18	3206	GEAR	3	
19	3243	GEAR	1	
20	3242	COLLAR	1	
21	3268	GEAR	1	
22	3240	NUT	1	
23	3208	GEAR	1	
24	3269	GEAR	1	
25	3214	GEAR	1	
26	3244	GEAR	1	
27	3245	COLLAR	1	
28	3216	GEAR	1	
29	3246	GEAR	1	
30	3249	COLLAR	1	
31	3247	GEAR	1	
32	3248	GEAR	1	
33	3245	COLLAR	1	
34	3219	GEAR	1	
35	3240	NUT	1	
36	3208	GEAR	1	
37	3221	COLLAR	1	
38	3270	KEY	1	
39	3271	KEY	1	
40	3272	KEY	1	
41	3273	KEY	1	
42	3274	KEY	1	
43	3275	KEY	1	
44	3276	KEY	2	
45	3277	BEARING	1	
46	3278	BEARING	1	
47	3279	BEARING	1	
48	3280	BEARING	2	
49	3281	CIRCLIP	1	
50	3282	CIRCLIP	2	
51	3283	SCREW	3	
56	3284	STEEL BALL	2	
57	3285	SPRING	2	
58	3286	SCREW	2	
59	3287	CIRCLIP	1	



INCH GEAR BOX (GEAR HEAD TYPE)

REF.NO.	PART NO.	DESCRIPTION	Q'TY	REMARKS
1	3201	GEAR BOX	1	
2	3202	FRONT COVER	1	
3	3613	COVER	1	
4	3230-1	HANDLE	1	
5	3264	INDEXING PLATE	1	
6	3265	CIRCLIP	1	
8	3228	SHIFT FORK	1	
10	3254	OIL INLET	1	
11	3255	STEEL BALL	1	
12	3256	SPRING	1	
13	3257	SCREW	1	
16	3260	SCREW	4	
17	3261	SPRING PIN	1	
18	3262	SCREW	2	
19	3263	SPRING PIN	1	

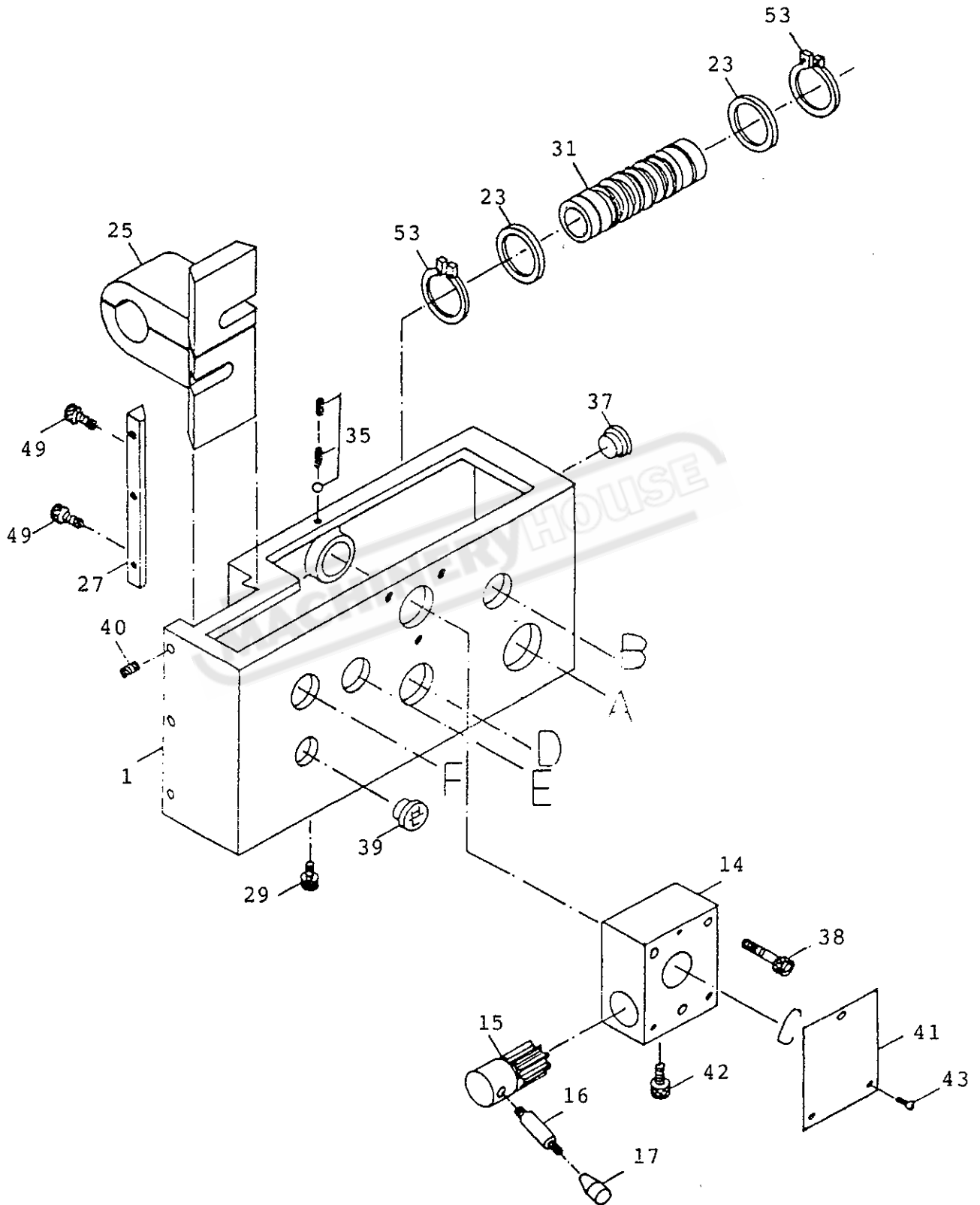
MACHINERYHOUSE



INCH GEAR BOX (GH TYPE)

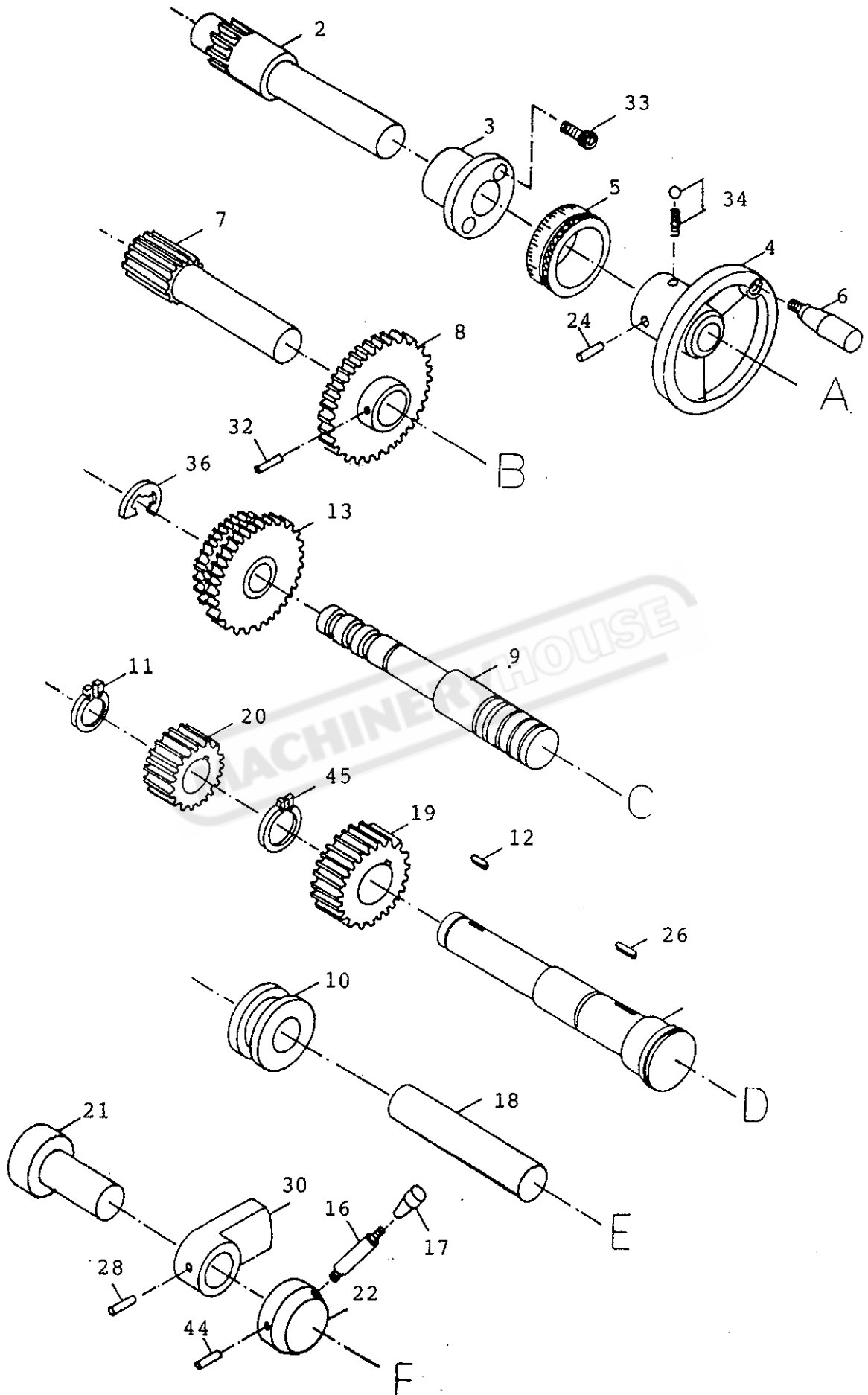
REF.NO.	PART NO.	DESCRIPTION	Q'TY
1	3203	COVER	1
2	3204	SHAFT	1
3	3222	SHAFT	1
4	3223	SHAFT FRAME	2
5	3224	GEAR	2
6	3226	GEAR	2
7	3232	PLUNGER	2
8	3266	SPRING	2
9	3233	BUSH	2
10	3234	KNOB	2
11	3225	SHAFT	2
12	3267	NUT	2
13	3207	SHAFT	1
14	3209	SHAFT	1
15	3220	SHAFT	1
16	3253	SHAFT	1
17	3205	GEAR	1
18	3206	GEAR	3
22	3240	NUT	1
23	3208	GEAR	1
24	3269	GEAR	1
34	3219	GEAR	1
35	3240	NUT	1
36	3208-1	GEAR	1
37	3221	COLLAR	1
38	3270	KEY	1
39	3271	KEY	1
40	3272	KEY	1
41	3273	KEY	1
42	3274	KEY	1
43	3275	KEY	1
44	3276	KEY	2
45	3277	BEARING	1
46	3278	BEARING	1
47	3279	BEARING	1
48	3280	BEARING	2
49	3281	CIRCLIP	1
50	3282	CIRCLIP	2
51	3283	SCREW	3
52	3288	SCREW	1
53	3289	SCREW	1
54	3290	SCREW	1
55	3291	SCREW	2
56	3284	STEEL BALL	2
57	3285	SPRING	2
58	3286	SCREW	2
60	3292	GEAR	1
61	3293	GEAR	1
62	3294	GEAR	1
63	3295	GEAR	1
64	3296	GEAR	1
65	3297	GEAR	1
66	3298	GEAR	1
67	3299	GEAR	1

APRON (Casting)



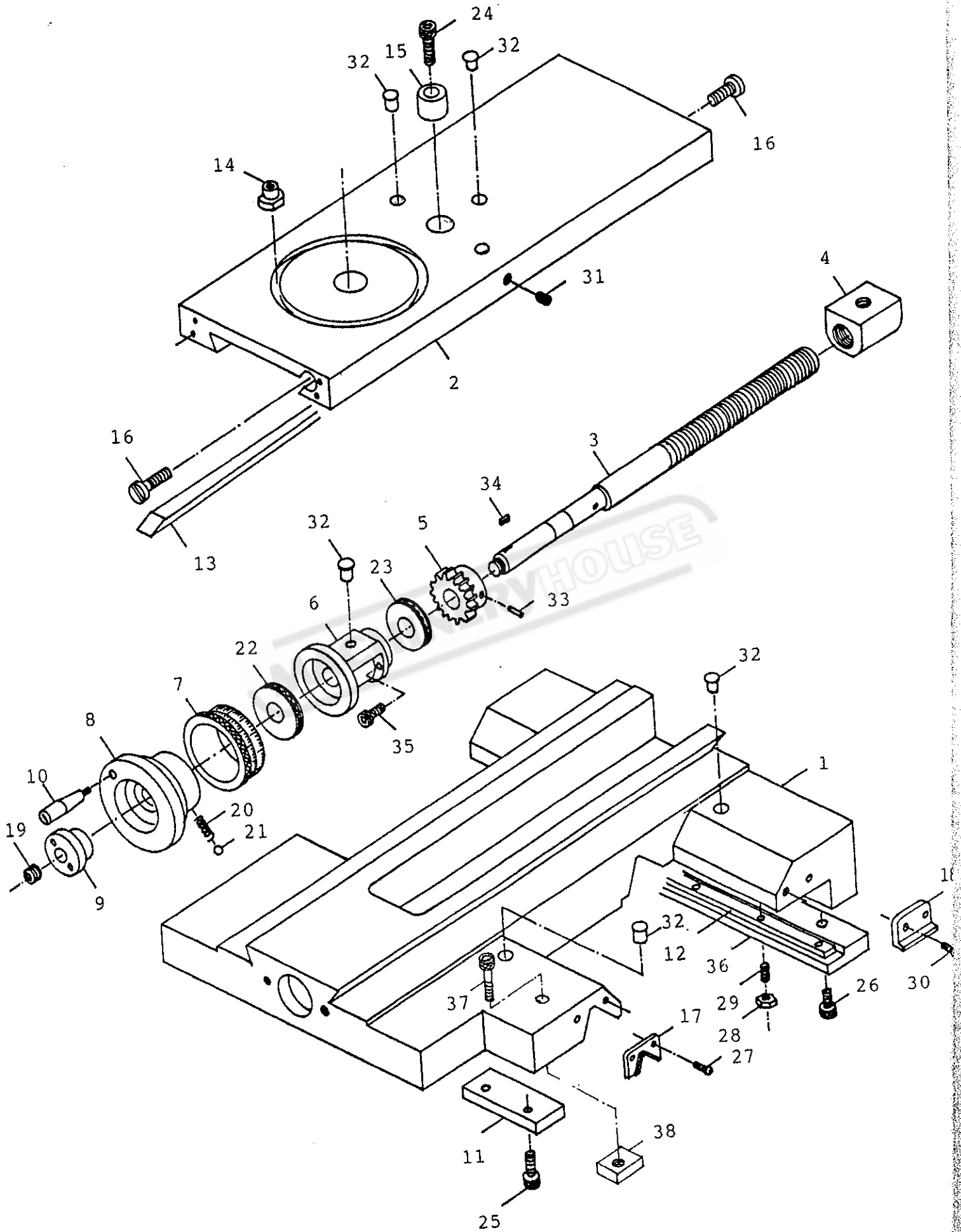
APRON (CASTING & SHAFT)

REF.NO.	PART NO.	DESCRIPTION	Q'TY
1	3301	APRON CASTING	1
14	3316	BRACKET	1
15	3317	GEAR SHAFT	1
16	3318	LEVER	1
17	3319	PVC KNOB	1
23	3325	COLLAR	1
25	3327	HALF NUT CLUTCH	2
27	3329	GIB	1
29	3358	SCREW	1
31	3333	WORM	1
35	3343	STEEL BALL, SPRING AND SCREW	1
37	3359	PLUG	1
38	3342	SCREW	1
39	3360	OIL SIGHT	3
40	3361	SCREW	1
41	3362	PLATE	3
42	3346	SCREW	1
43	3363	SCREW	1
49	3353	SCREW	3
53	3357	CIRCLIP	3
			2



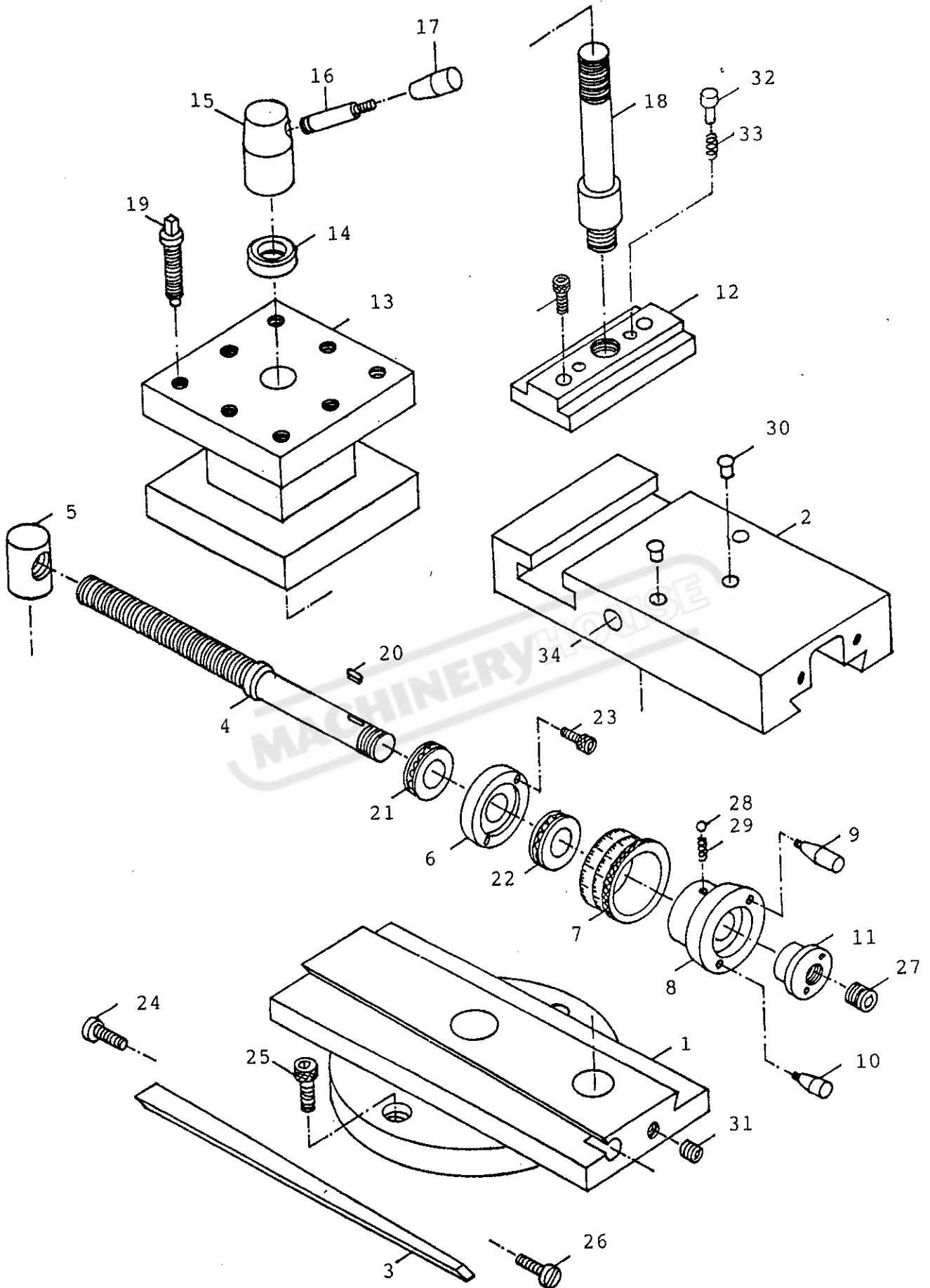
APRON (GEAR & SHAFT)

REF.NO.	PART NO.	DESCRIPTION	Q'TY
2	3303	GEAR SHAFT	1
3	3304	BUSHING	1
4	3305	HANDWHEEL	1
5	3306	DIAL	1
6	3308	HANDLE	1
7	3309	GEAR SHAFT	1
8	3310	GEAR	1
9	3311	SHAFT	1
10	3364	BUSHING	1
11	3365	CIRCLIP	1
12	3366	KEY	1
13	3367	GEAR	1
16	3318	LEVER	1
17	3319	PVC KNOB	1
18	3320	SHAFT	1
19	3368	GEAR	1
20	3369	GEAR	1
21	3323	CAM SHAFT	1
22	3324	HANDLE	1
24	3370	PIN	1
26	3371	KEY	1
28	3372	PIN	1
30	3373	LOCK PLATE	1
32	3307	PIN	1
33	3337	SCREW	1
34	3338	STEEL BALL AND SPRING	1
36	3340	CIRCLIP	1
44	3348	PIN	1
45	3374	CIRCLIP	1



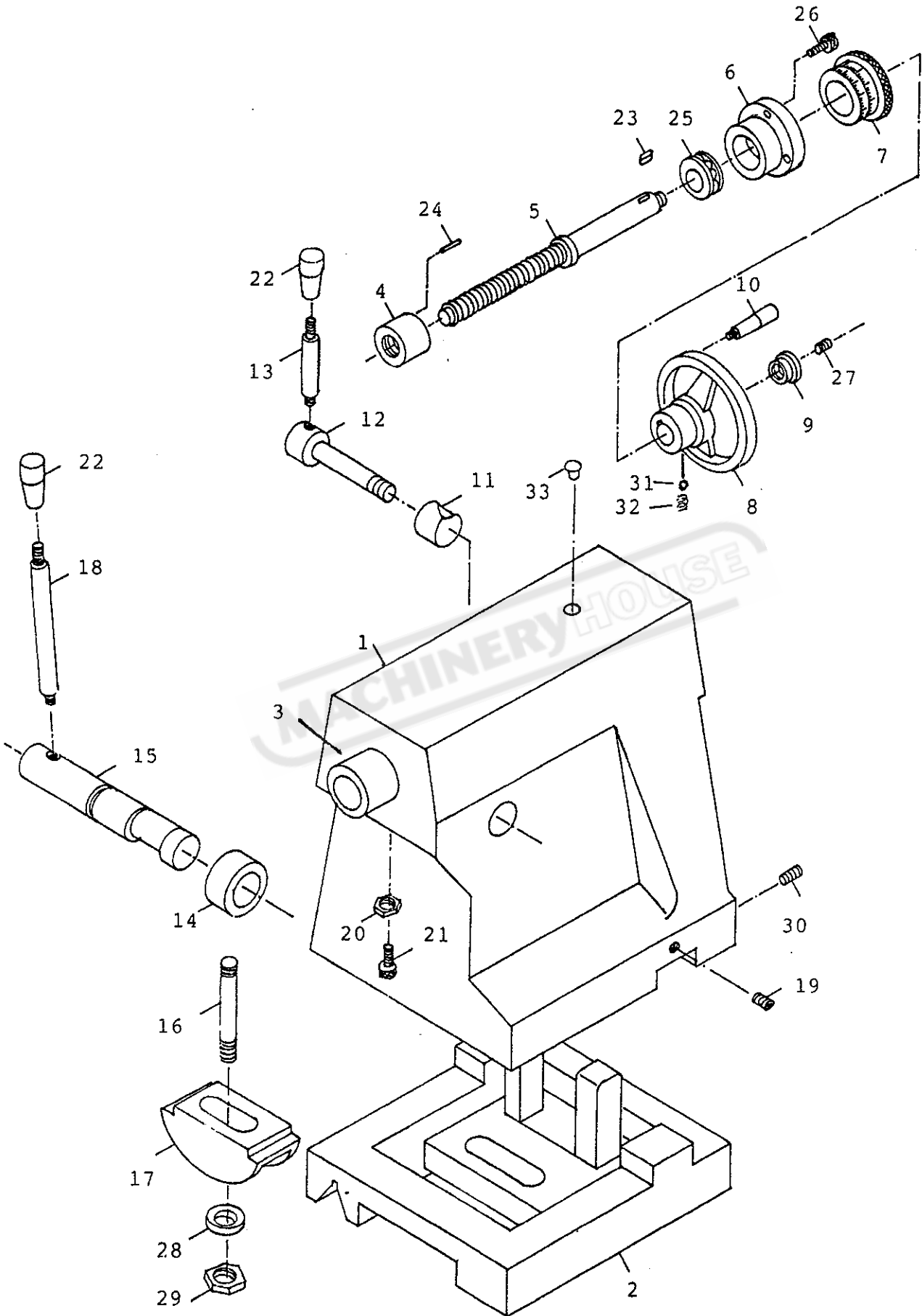
CARRIAGE

REF.NO.	PART NO.	DESCRIPTION	Q'TY	REMARKS
1	3401	SADDLE CASTING	1	
2	3402	CROSS SLIDE	1	
3	3412	CROSS FEED SCREW	1	
4	3413	NUT	1	
5	3411	GEAR	1	
6	3414	BUSHING	1	
7	3415	DIAL	1	
8	3417	HANDLE	1	
9	3416	NUT	1	
10	3418	GRIP	1	
11	3405	CLAMP FRONT	1	
12	3404	GIB	1	
13	3408	GIB	1	
14	3419	NUT	2	
15	3410	BUSHING	1	
16	3409	SCREW	2	
17	3440	WIPER	2	
18	3439	WIPER	2	
19	3452	SCREW	1	
20	3453	SPRING	1	
21	3454	STEEL BALL	1	
22	3455	BEARING	1	
23	3456	BEARING	1	
24	3457	SCREW	1	
25	3458	SCREW	4	
26	3459	SCREW	2	
27	3460	SCREW	4	
28	3461	NUT	1	
29	3462	SCREW	1	
30	3463	SCREW	4	
31	3464	SCREW	1	
32	3465	OIL CAP	4	
33	3466	SPRING PIN	1	
34	3467	KEY	1	
35	3468	SCREW	2	
36	3403	CLAMP REAR	1	
37	3406	SCREW	1	
38	3407	WASHER	1	



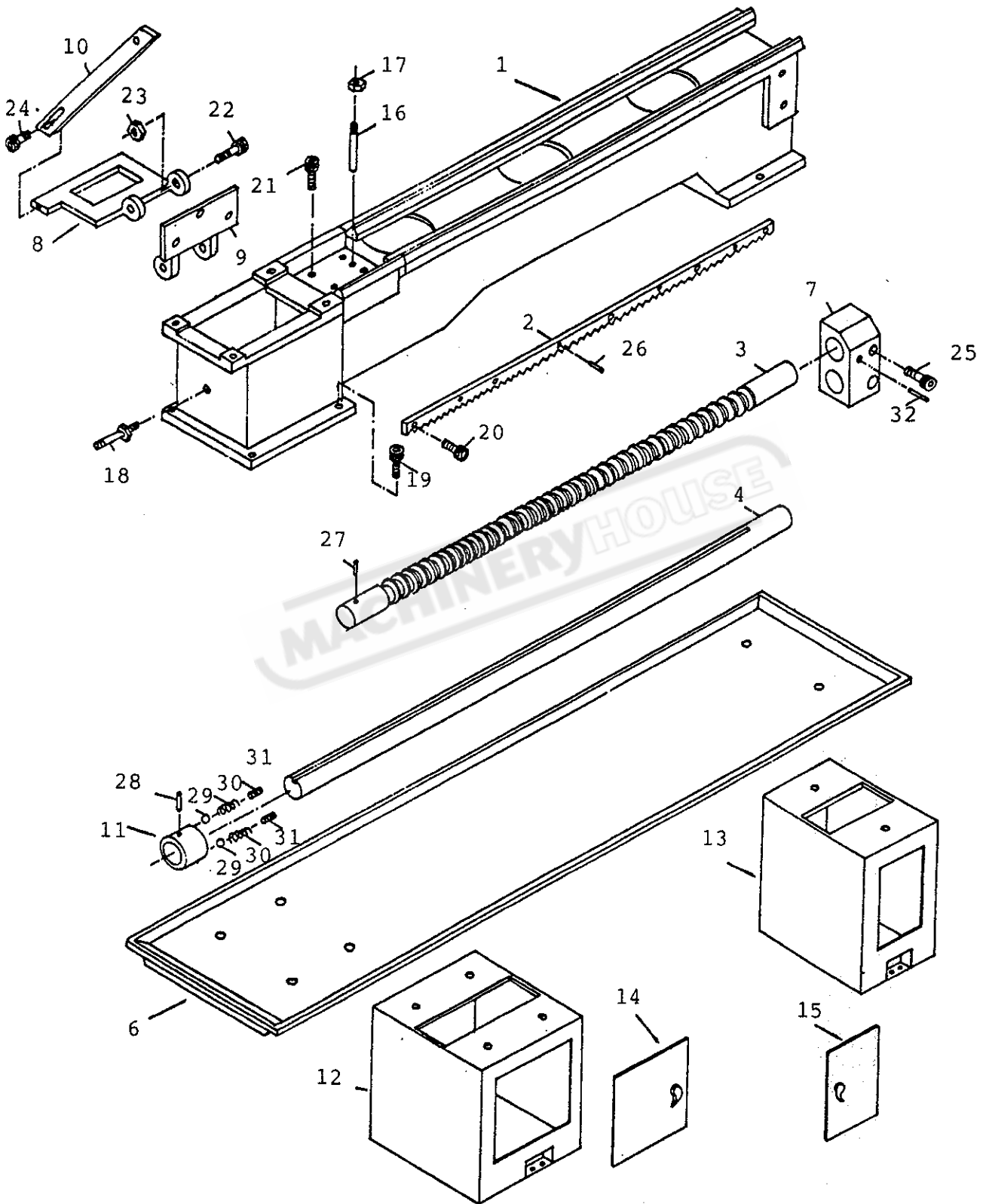
CROSS & COMPOUND SLIDES

REF.NO.	PART NO.	DESCRIPTION	Q'TY	REMARKS
1	3420	SWIVER SLIDE	1	
2	3421	TOP SLIDE	1	
3	3422	GIB	1	
4	3425	LEAD SCREW	1	
5	3424	NUT	1	
6	3426	BRACKET	1	
7	3427	DIAL	1	
8	3428	HANDWHEEL	1	
9	3429	GRIP	1	
10	3430	GRIP	1	
11	3416	NUT	1	
12	3441	NUT	1	
13	3433	TOOL POST	1	
14	3434	WASHER	1	
15	3435	HUB	1	
16	3436	LEVER	1	
17	3437	PVC KNOB	1	
18	3432	BOLT	1	
19	3438	SCREW	8	
20	3442	KEY	1	
21	3443	BEARING	1	
22	3444	BEARING	1	
23	3445	SCREW	2	
24	3423	SCREW	1	
25	3446	SCREW	2	
26	3423	SCREW	1	
27	3447	SCREW	1	
28	3448	STEEL BALL	1	
29	3449	SPRING	1	
30	3450	OIL CAP	1	
31	3451	SCREW	1	
32	3431	PIN	1	
33	3469	SPRING	1	
34	3470	SCREW	1	



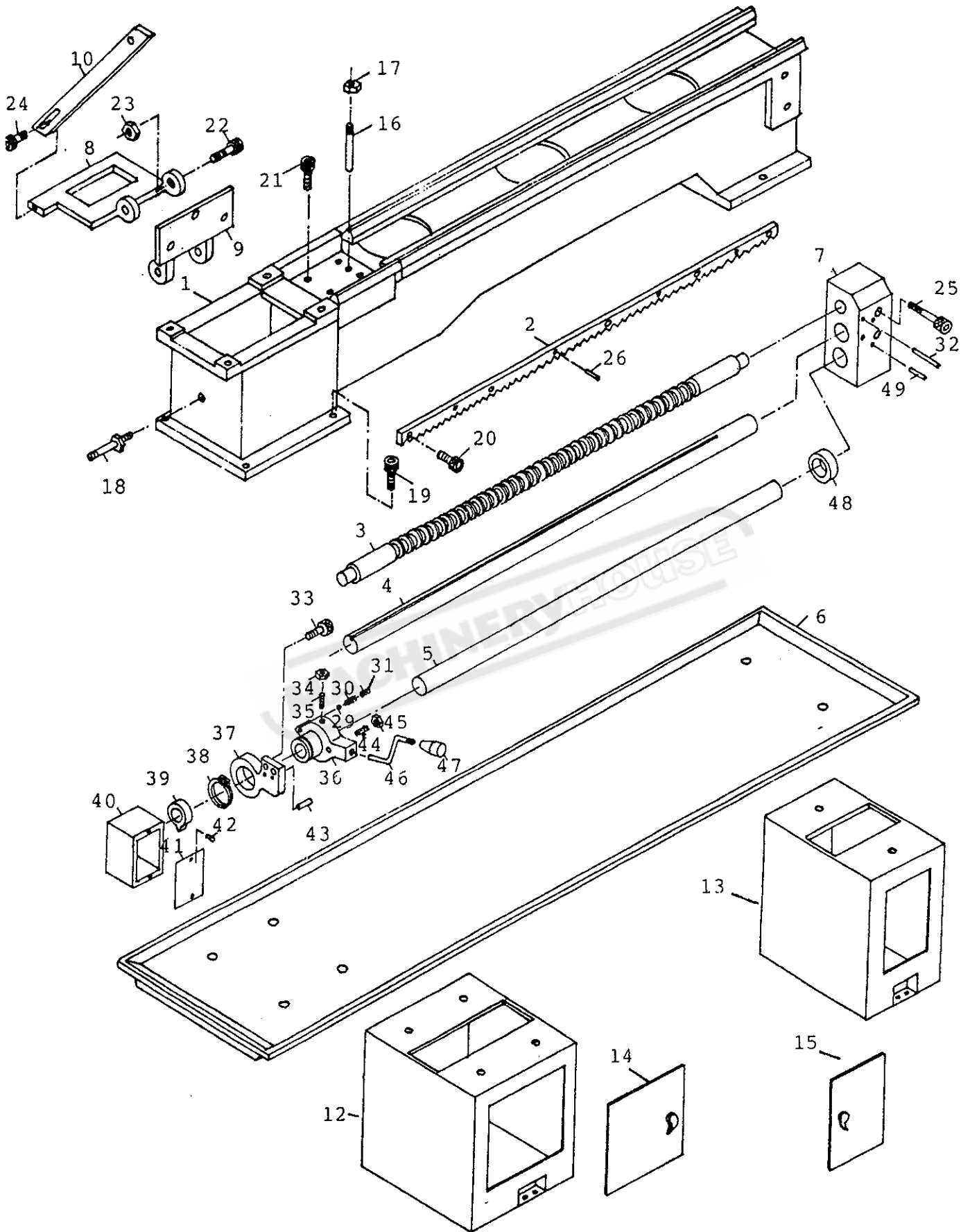
TAILSTOCK

REF.NO.	PART NO.	DESCRIPTION	Q'TY	REMARKS
1	3501	TAILSTOCK TOP	1	
2	3502	BASE	1	
3	3503	BARREL	1	
4	3504	NUT	1	
5	3505	FEED SCREW	1	
6	3506	BRACKET	1	
7	3507	DIAL	1	
8	3508	HANDWEEL	1	
9	3509	NUT	1	
10	3510	HANDLE	1	
11	3511	NUT	1	
12	3512	SHAFT	1	
13	3513	LEVER	1	
14	3514	COLLAR	1	
15	3515	CAM SHAFT	1	
16	3516	CLAMP BOLT	1	
17	3517	CLAMP PLATE	1	
18	3518	LEVER	1	
19	3519	SCREW	2	
20	3520	NUT	1	
21	3521	SCREW	1	
22	3522	PVC KNOB	2	
23	3523	KEY	1	
24	3524	PIN	1	
25	3525	BEARING	1	
26	3526	SCREW	3	
27	3527	SCREW	1	
28	3528	WASHER	1	
29	3529	NUT	1	
30	3530	SCREW	2	
31	3531	STEEL BALL	1	
32	3532	SPRING	1	
33	3533	OIL CUP	1	



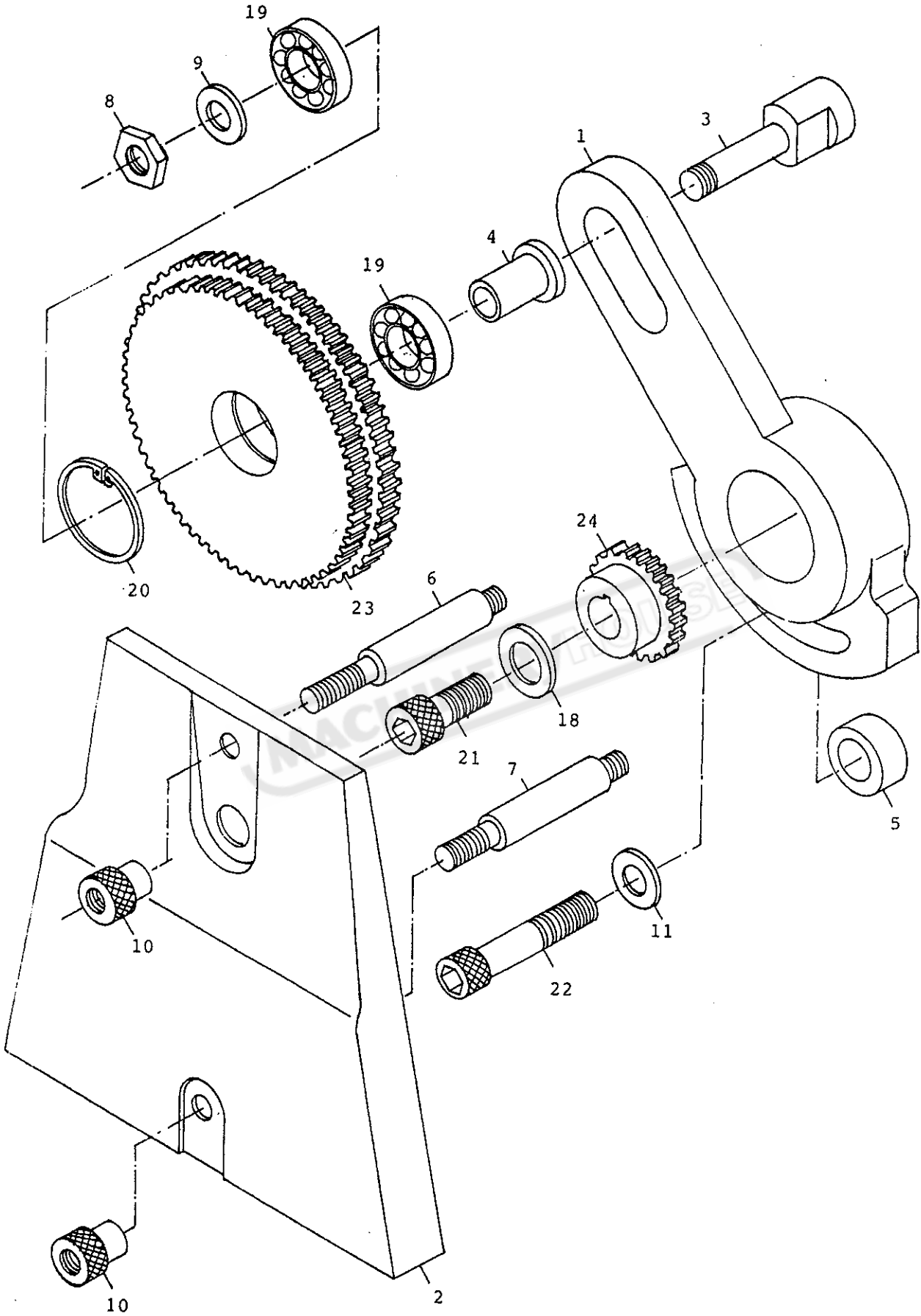
BED & SHAFTS (GEAR HEAD TYPE)

REF.NO.	PART NO.	DESCRIPTION	Q'TY	REMARKS
1	A-3601	BED	1	
2	A-3603	RACK	1	
3	A-3604	LEAD SCREW	1	
4	A-3605	SHAFT	1	
6	A-3608	CHIP PAN	1	
7	A-3602	END BRACKET	1	
8	A-3607	MOTOR PLATE	1	
9	A-3606	MOTOR PLATE	1	
10	A-3615	ROD	1	
11	A-3609	COLLAR(CLUTCH)	1	
12	A-3610	LEFT PEDESTAL	1	
13	A-3611	RIGHT PEDESTAL	1	
14	A-3612	LEFT DOOR	1	
15	A-3613	RIGHT DOOR	1	
16	A-3614	PIN	1	
17	A-3616	NUT	1	
18	A-3622	SCREW	1	
19	A-3623	SCREW	6	
20	A-3624	SCREW	4	
21	A-3625	SCREW	4	
22	A-3626	SCREW	2	
23	A-3627	NUT	2	
24	A-3628	SCREW	1	
25	A-3629	SCREW	2	
26	A-3630	PIN	3	
27	A-3631	SPRING PIN	1	
28	A-3632	SPRING PIN	1	
29	A-3633	STEEL BALL	2	
30	A-3634	SPRING	2	
31	A-3635	SCREW	1	
32	A-3636	SPRING PIN	1	



BED & SHAFTS (GEAR HEAD TYPE)

REF.NO.	PART NO.	DESCRIPTION	Q'TY	REMARKS
1	A-3601	BED	1	
2	A-3603	PACK	1	
3	A-3604	LEAD SCREW	1	
4	A-3605	SHAFT	1	
6	A-3608	CHIP PAN	1	
7	A-3602	END BRACKET	1	
8	A-3607	MOTOR PLATE	1	
9	A-3606	MOTOR PLATE	1	
10	A-3615	ROD	1	
11	A-3221	COLLAR	1	
12	A-3701	FLOOR STAND	1	
13	A-3702	FLOOR STAND	1	
14	A-3703	DOOR	1	
15	A-3704	DOOR	1	
16	A-3705	SHAFT	1	
17	A-3706	NUT	1	
18	A-3707	SCREW	1	
19	A-3708	SCREW	6	
20	A-3622	SCREW	4	
21	A-3709	SCREW	4	
22	A-3623	SCREW	2	
23	A-3624	NUT	2	
24	A-3625	SCREW	2	
25	A-3626	SCREW	1	
26	A-3627	PIN	3	
27	A-3628	PIN	1	
28	A-3629	PIN	1	
29	A-3630	STEEL BALL	2	
30	A-3631	SPRING	2	
31	A-3632	SCREW	2	
32	A-3633	SPRING	1	
5	A-3605	SHAFT	1	
33	A-3634	SCREW	1	
34	A-3635	NUT	1	
35	A-3636	SCREW	1	
36	A-3618	ELECTROMOTIVE BUSH	1	
37	A-3617	SPINDLE CONTROL SHAFT BRACKET	1	
38	A-3637	CIRCLIP	1	
39	A-3638	CRANK	1	
40	A-3620	COVER	1	
41	A-3621	COVER	1	
42	A-3639	SCREW	4	
43	A-3640	SPRING PIN	1	
44	A-3641	SCREW	1	
45	A-3642	NUT	1	
46	A-3619	LEVER	1	
47	A-3643	KNOB	1	
48	A-3644	COLLAR	1	
49	A-3645	PIN	1	



BED GEAR & COVER (GH TYPE)

REF.NO.	PART NO.	DESCRIPTION	Q'TY	REMARKS
1	A-3617	SWING FRAME	1	
2	A-3618	END COVER	1	
3	A-3619	BOLT	1	
4	A-3620	BUSHING	1	
5	A-3621	BUSHING	1	
6	A-3637	SCREW	1	
7	A-3638	SCREW	1	
8	A-3639	NUT	1	
9	A-3640	WASHER	1	
10	A-3641	NUT	2	
11	A-3642	WASHER	1	
22	A-3647	SCREW	1	
23	A-3648	GEAR	1	
21	A-3646	SCREW	1	
24	A-3649	GEAR	1	
19	A-3644	BEARING	2	
20	A-3645	CIRCLIP	1	
18	A-3643	WASHER	1	